

**BUCHER**  
municipal



Spreader

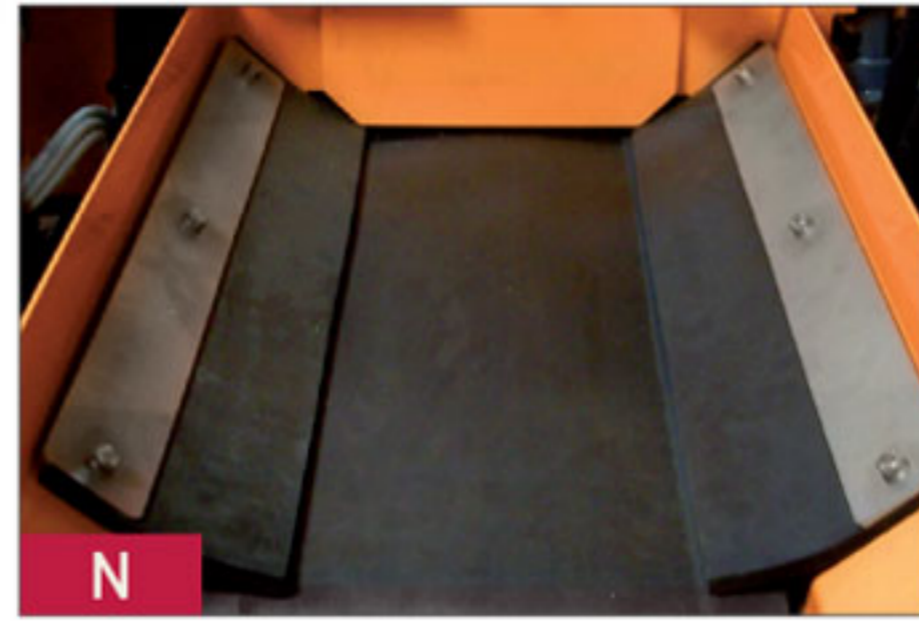
**Giletta Ka**

## Feeding systems



### Metal belt

The feeding system is realized by metal belt an AISI 304 stainless steel with cross-bars. The chain is guided by toothed pinions that enables a constant traction maintaining a correct translation synchrony, without skidding.



### Rubber belt

The feeding system is realized by a double layer natural rubber belt with polyester and nylon core. The traction roller that moves the rubber belt is crowned to avoid side deviations and tired to minimize skidding.

## Demount systems



### Demount system P1

Demount system with galvanized telescopic feet with crank. Higher front feet for easy loading onto vehicles provided with side panels.

### Demount system P3

Automatic demount system for tipper, with front rollers and feet fitting into the spreader. Unloading can be done automatically from the driver's cab.



## Spreading system

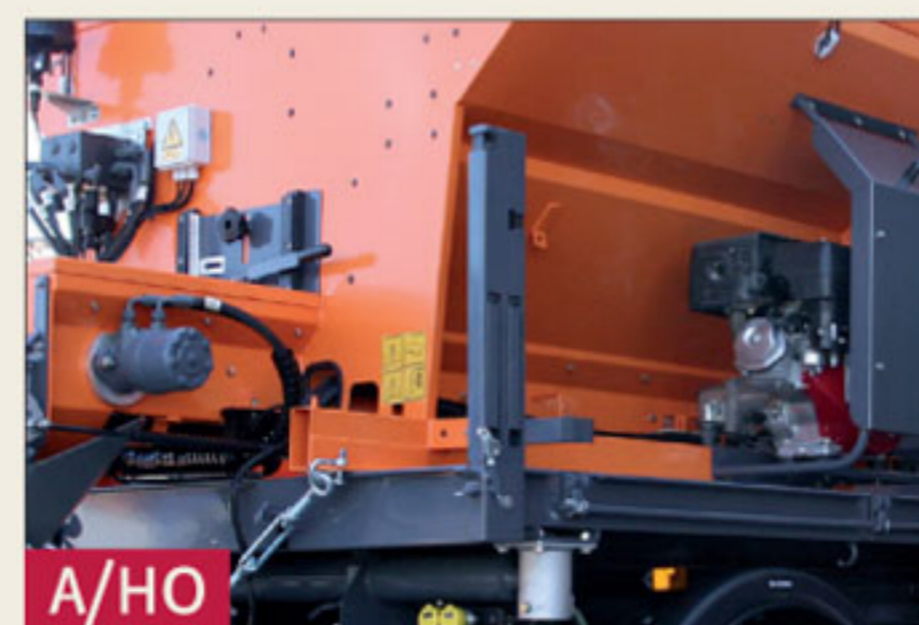
The chute is realized in polyethylene HD (high density) with circular shape permitting excellent sliding features at low temperatures. The spreading disc is equipped with 6 blades realized in AISI 304 stainless steel for corrosion protection. Blades are adjustable according to adapt the material distribution to its granulometry.

## Driving systems



### Hydraulic

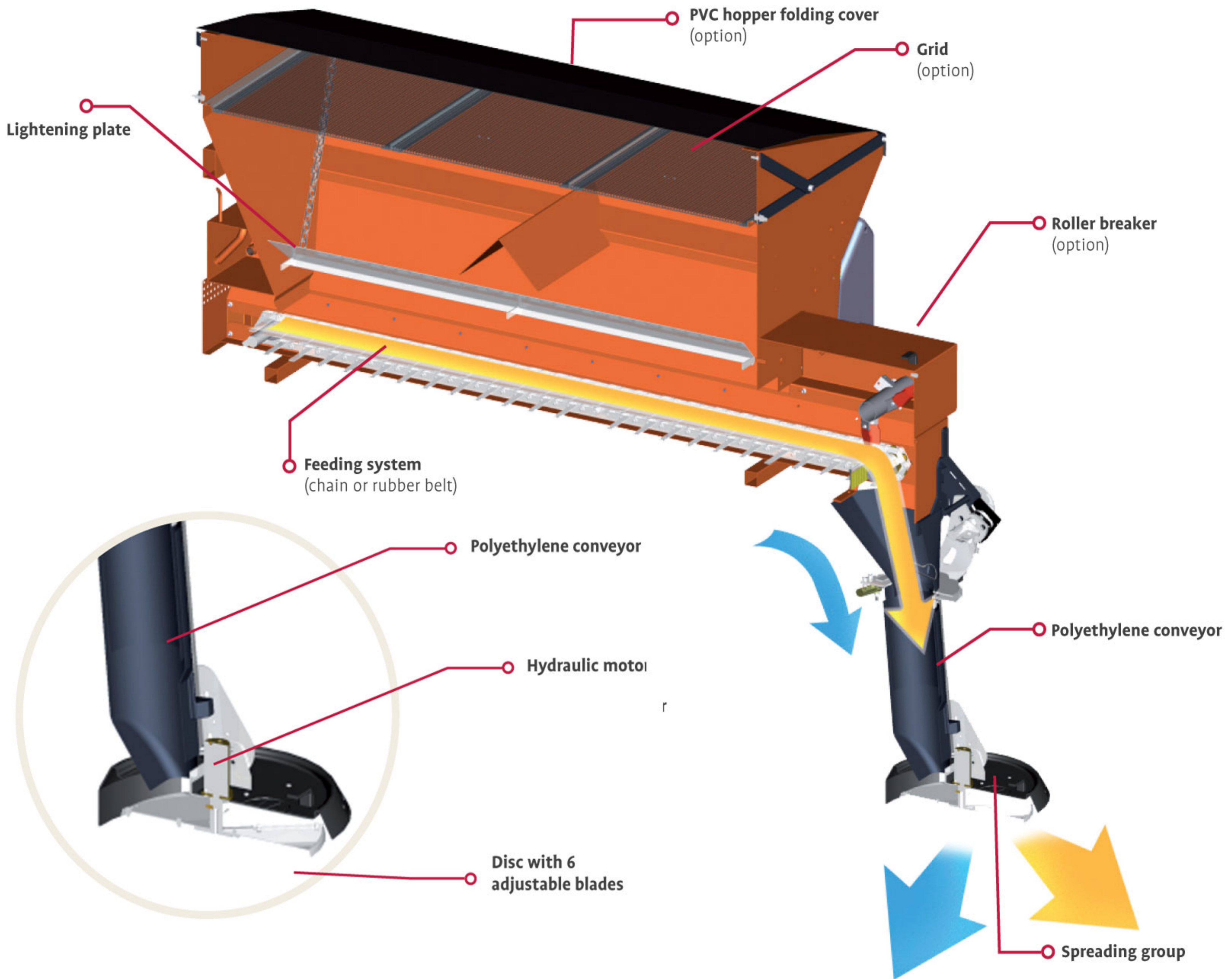
Driving through the vehicle hydraulic system sized according to the European Standards EN15431.



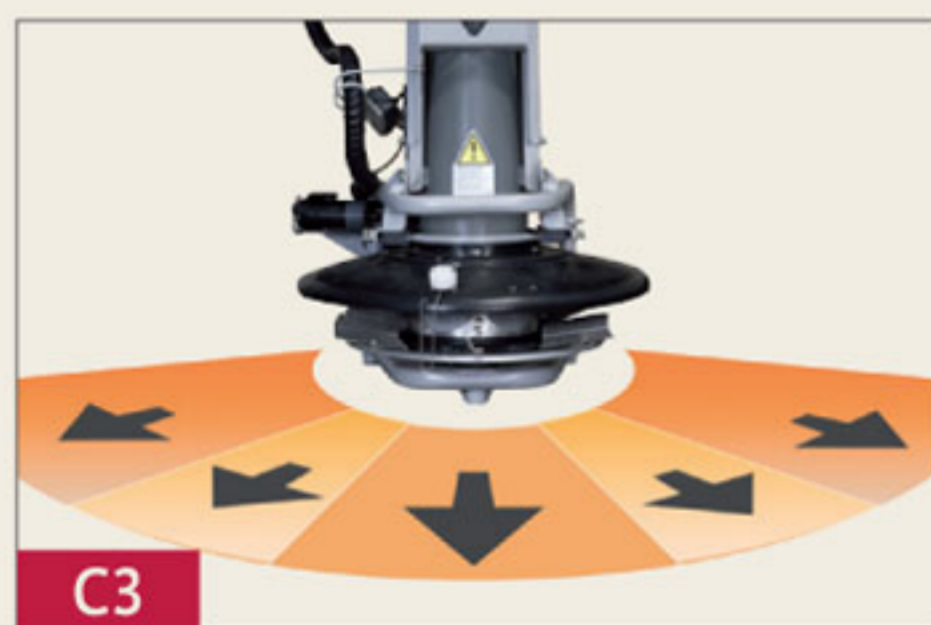
### Auxiliary engine

Driving through diesel engine (A/D) or petrol engine (A/HO), air cooled.

# Working scheme



## Main options on request



### Asymmetry

Electric regulation of spreading asymmetry in 5 pre-set positions from the driver's cab.



### Salt missing sensor

Salt missing sensor with visualization on the driver's cabin display.



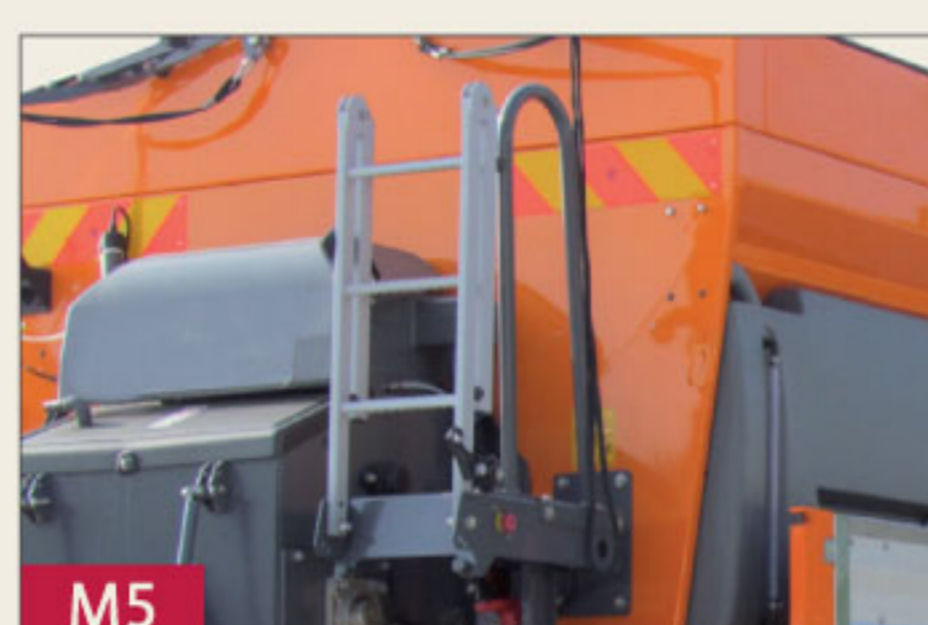
### PVC hopper cover

PVC hopper folding cover manually opened from the ground with steel structure.



### Grid

Galvanized grid. Possibility of AISI 304 stainless steel grid (opt. G1/X).



### Ladder

AISI 304 stainless steel ladder for easy accessibility positioned in the rear right part.



### Pre-wetting

Volumetric pump coupled to the hydraulic motor, maintenance free. Polyethylene tanks.



### Technical compartment

Polyethylene compartment for proportional valves and power pack protection (with opt. C1).



	KA1000/C	KA1000/N	KA2000/C	KA2000/N	
Hopper capacity	1,0 ÷ 1,3	1,0 ÷ 1,3	1,6 ÷ 2,0	1,6 ÷ 2,0	m <sup>3</sup>
Brine tank capacity	530	530	850	850	l
Min/max. spreading width	2 ÷ 8	2 ÷ 8	2 ÷ 8	2 ÷ 8	m
Min/max. salt dispensing capacity	5 ÷ 40	5 ÷ 40	5 ÷ 40	5 ÷ 40	g/m <sup>2</sup>
Min/max. grit dispensing capacity	20 ÷ 250	20 ÷ 250	20 ÷ 250	20 ÷ 250	g/m <sup>2</sup>
Hopper length	1600	1600	2100	2100	mm

## EasyCom

Tachometer based control system, to control asymmetry, width and amount of spread dry material.



## Ecosat<sup>10</sup>

Latest generation microprocessor control-systems, with maximum flexibility in programming and visualizing the different spreading parameters: width, asymmetry and dosage depending on the vehicle speed.



**Six different tools  
in all-in-one control box**



■ **Giletta LLC**  
Kaluga

■ **Gmeiner GmbH**  
Wernberg-Köblitz

■ **Bucher Municipal**  
Niederweningen

■ **Arvel Industries Sarl**  
Coudes

■ **Giletta SpA**  
Revello (CN)

■ **Giletta SpA**  
Gaggio Montano (BO)

■ **Maquiasfalt S.L.**  
Madrid

## **Giletta SpA**

Via A. De Gasperi, 1  
I-12036 Revello (CN)  
tel. +39 0175 258 800  
fax. +39 0175 258 825  
giletta@buchermunicipal.com

[www.buchermunicipal.com](http://www.buchermunicipal.com)

## **////:HANES**

Strojírenská 259  
CZ 150 21 Praha 5  
Tel.: +420 220 190 610  
Fax: +420 220 190 620  
info@hanes.cz

[www.hanes.cz](http://www.hanes.cz)

## **////:HANES**

Pri kalvárii 20  
SK 917 01 Trnava  
Tel.: +421 335 921 910  
Fax: +421 335 545 000  
info@hanes-slovakia.cz

[www.hanes-slovakia.sk](http://www.hanes-slovakia.sk)